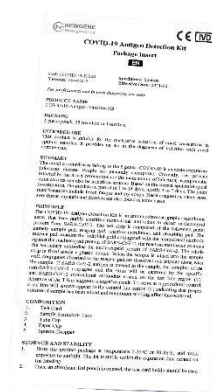


COVID-19 Antigen Detection Kit

Sputum Sample (Saliva)

25 Tests/Box



1 Test/Box



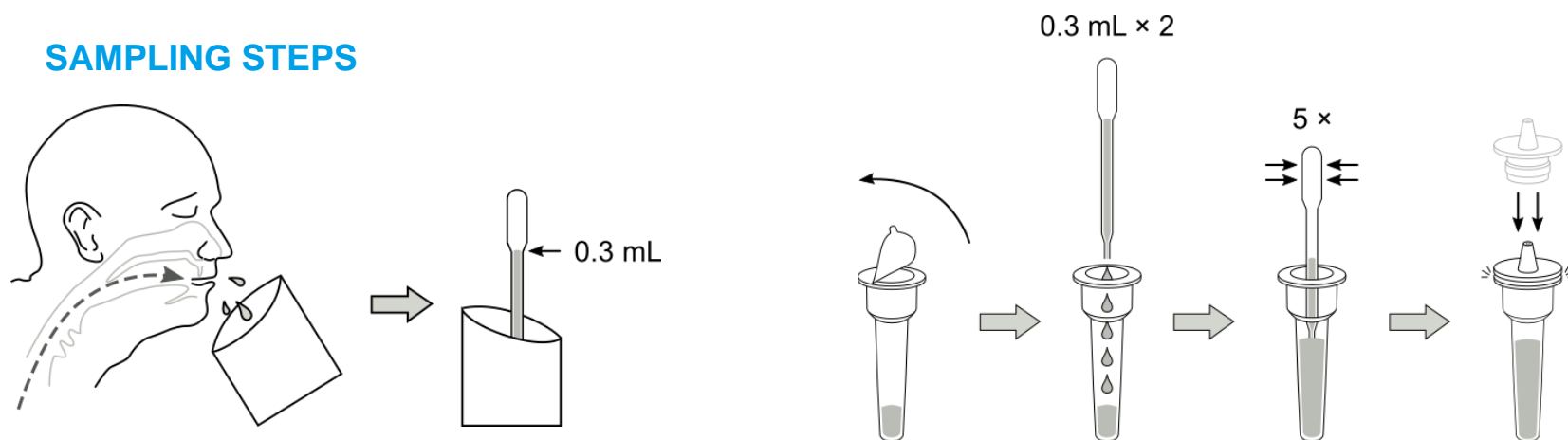
Product Feature

- Samples: **Sputum (Saliva).**
- Multiple Packaging Specifications: 25 Tests/Box or 1 Test/Box
- Fast Detection: Result in 15 minutes.
- High Accuracy.
- Easy to Use.

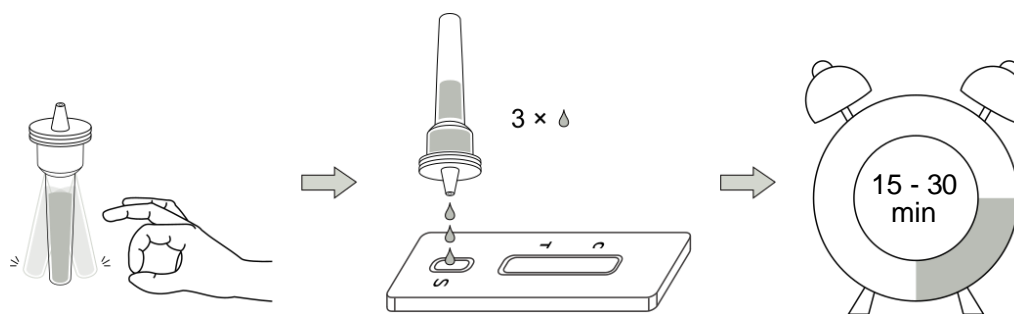
Components

NO.	Components name	25 Tests/Box	1Test/Box
1	Test Card	*25	*1
2	Sample Extraction Tube	*25	*1
3	Tube Cap	*25	*1
4	Paper Cup	*25	*1
5	Sputum Dropper	*25	*1

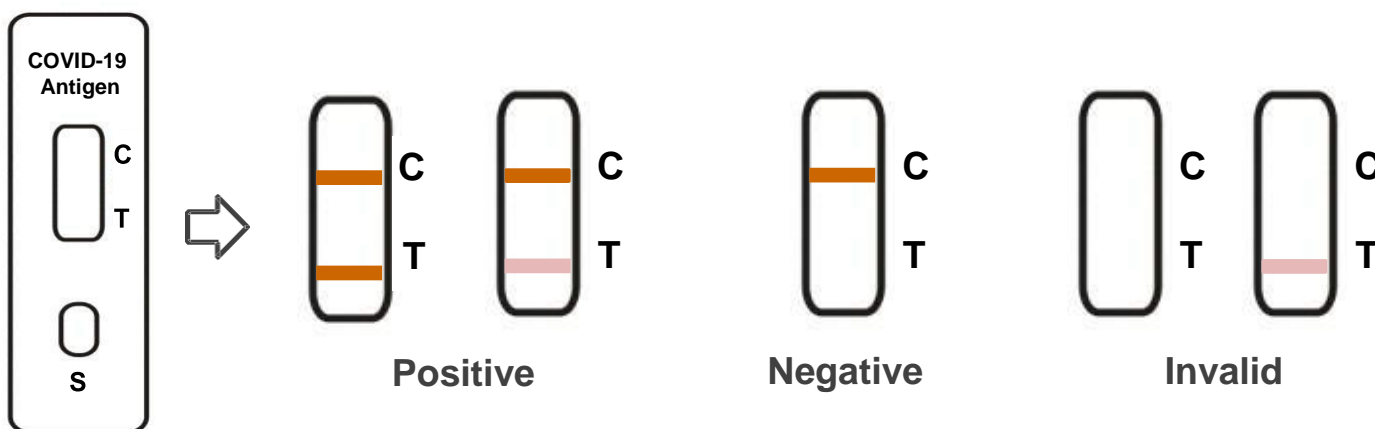
SAMPLING STEPS



DETECTION STEPS



INTERPRETATION OF RESULTS



Positive(+): Red bands appear at both of T and C line in 15 to 30 minutes.

Negative(-): A red band appears at C line while no red band appears at T line in 15 to 30 minutes after sample loading.

Invalid: As long as no red band appears at C line, it indicates that the test result is invalid, and should retest the sample with another test card.

Sensitivity	Specificity
97.3%	99.2%

Packaging List

25 Tests/Box

Sample	✓ Nasopharyngeal Swab ✓ Nasal Swab ✓ Oropharyngeal Swab	
	Size(mm)	Weight(Kg)
Box	230*140*80	0.45
Carton	580*480*425	2.2
Pcs/Box	25	
Boxes/ Carton	40	
Pcs/Carton	1000	
Net weight/Carton	18KG	
Gross weight/Carton	20.2KG	
Total volume	0.12 cbm	

Sample	✓ Sputum Sample Saliva) (
	Size(mm)	Weight(Kg)
Box	230*120*67	0.4
Carton	510*490*360	1.3
Pcs/Box	25	
Boxes/ Carton	40	
Pcs/Carton	1000	
Net weight/Carton	15.2KG	
Gross weight/Carton	16.5KG	

1 Test/Box

Sample	✓ Sputum Sample(Saliva) ✓ Nasal Swab	
	Size(mm)	Weight(Kg)
Box	305*197*88	0.75
Carton	630*420*470	1.5
Pcs/Box	25	
Boxes/ Carton	20	
Pcs/Carton	500	
Net weight/Carton	15KG	
Gross weight/Carton	16.5KG	
Total volume	0.13 cbm	

Sample	✓ Nasopharyngeal Swab ✓ Oropharyngeal Swab	
	Size(mm)	Weight(Kg)
Box	275*180*110	0.78
Carton	590*570*395	2.2
Pcs/Box	25	
Boxes/ Carton	20	
Pcs/Carton	500	
Net weight/Carton	15.6KG	
Gross weight/Carton	17.8KG	
Total volume	0.133 cbm	